

DynaHawk™ ZD Series

Hyper Mini Fisheye IP Camera

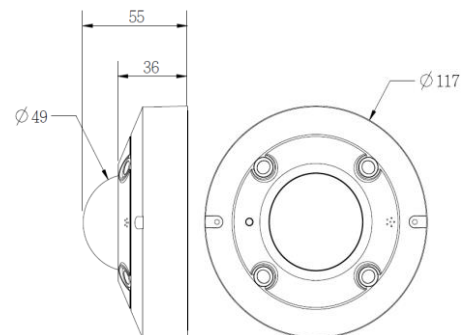


The Multiple Streams Ultra High Definition Mini Fisheye IP Camera is a high resolution surveillance solution features 360° wide coverage without blind spots. Mini fisheye camera supports resolution up to 6 Megapixels streaming at 30 fps which allows the videos to be viewed smoothly. Moreover, the fisheye camera supports digital PTZ, panoramic view and several display modes to fulfill users' needs. With the Compact and Concise design, Mini Fisheye Camera is suitable to apply in many kinds of environment, such as office room, hotel, vehicles, etc. Furthermore, the embedded edge dewarping engine enables the fisheye camera to dewarp images by camera rather than backend system. Therefore, edge dewarping technique reduces the burden of backend system and also enhances the flexibility of usage. Featuring IR LED module and Smart Picture Quality/Noise Reduction improves the image quality in low light environments.

Key Features

- Progressive Scan CMOS Sensor
- Software Dewarping: 6M Resolution + 720P Real-Time
- Edge Dewarping, Up to 4M Resolution
- Quad Streams Compression: H.264 Baseline / Main / High Profile + MJPEG
- Multiple Dewarp Display Modes
Digital PTZ / Panorama View / Quad View
- Smart Event Function
Audio Detection / Motion Detection / Network Failure Detection / Tampering Alarm
Periodical Event / Manual Trigger Event
- Multiple and Dynamic Region of Interest (ROI) Windows
- Smart TextOverlay and Privacy Masks
- Wide Dynamic Range
- Day/Night (ICR)
- IR LED Module
- Built-in MIC & Speaker*
- 2D/3D Noise Reduction / Color Noise Reduction
- Weatherproof (IP66 International)*
- MicroSD and NAS Recording Support
- Compact and Concise Design
- ONVIF Support
- IK10

(*Optional)



DynaHawk™ ZD Series - Hyper Mini Fisheye IP Camera

Camera		Z4SA-D
Image Sensor		1/1.8" Sony Progressive CMOS
Effective Pixels		6M
Minimum Illumination	Color	0.04 lux
	B/W	0.002 lux
Shutter Speed		1 ~ 1/10000 sec.
Lens		
Lens		1/2" Fisheye Lens
Lens Mounting		M12
Focal Length		1.6 mm
F Number		F2.0
FOV		185° @ Full Resolution
Operation		
Multiple Languages		English / French / German / Italian / Japanese / Korean / Portuguese / Russian / Simplified Chinese / Spanish / Traditional Chinese
Image Setting	Backlight	On / Off
	White Balance	Manual / AWB / ATW / One Push
	Noise Reduction	3DNR / 2DNR / ColorNR
	Wide Dynamic Range	On / Off
	Privacy Mask	On / Off
	Brightness	Manual
	Exposure	Auto / Manual
	Sharpness	Manual
	Contrast	Manual
	Saturation	Manual
	Hue	Manual
	Digital Zoom	Support
	Privacy Mask Type	Color
	ICR	Auto / LED On / LED Off / Smart IR / Light Sensor
Event Setting	IR Threshold	Adjustable levels
	Motion Detection	By Schedule / On / Off
	Tampering Alarm	By Schedule / On / Off
	Network Failure	By Schedule / On / Off
Audio	Audio Detection	On / Off
	Two-way Audio	Built-in Speaker (Max. 2W Mono) & Microphone or Two-way Audio (Line in / Line out)*
	Compression	G.711 / G.726 / AAC / LPCM
	Bit rate	G.726 : 16Kbps/24Kbps/32Kbps/40Kbps, G.711 : uLAW(64Kbps)/ALAW(64Kbps), AAC:128 Kbps, PCM: 128Kbps/256Kbps/384Kbps/768Kbps
Sampling rate	8 KHz	
Network		
Interface		RJ-45, 1Gbps Ethernet
Video Compression		MJPEG / H.264 (MPEG-4 Part 10/AVC) Baseline / Main Profile / High Profile
Edge Dewarping		Dual Streaming H.264 4M (2048 x 2048) @20fps + H.264 1080P @20fps H.264 1.98M (1408 x 1408) @25/30fps + H.264 1080P @25/30fps Note: MJPEG supports for resolution of 1080p or under
		Single Streaming H.264 6M (3072 x 2048) @ 25/30 fps H.264 / MJPEG 1080P @ 50/60fps
Video Streaming		Dual Streaming H.264 6M (3072 x 2048) @ 25/30 fps + 720P @ 25/30 fps H.264 1080P @ 50/60 fps + H.264 1080P @ 25/30 fps Note: MJPEG supports for resolution of 1080p or under
	SW Dewarping	Quad Streaming PAL: H.264 1080P @ 50fps + H.264 1080P @ 50fps + H.264 VGA @ 50fps + H.264 CIF @ 50fps NTSC: H.264 1080P @ 60fps + H.264 SXGA @ 60fps + H.264 D1 @ 60fps + H.264 CIF @ 60fps Note: 1 of the streamings can be MJPEG
Video Resolution	Edge Dewarping	H.264 - 2048x2048 / 2688x1520 / 2048x1536 / 1920x1080 / 1600x1200 / 1408x1408 / 960x960 / 960x720 / 960x554 MJPEG - 1920x1080 / 1600x1200 / 1408x1408 / 960x960 / 960x720 / 960x554
	SW Dewarping	H.264 - 6M (3072 x 2048) / Full HD 1080P / SXGA / HD 720P / XGA / SVGA / D1 / VGA / CIF / QVGA MJPEG - Full HD 1080P / SXGA / 720P / XGA / SVGA / D1 / VGA / CIF / QVGA
Video Windows under ePTZ		4
Video Dewrap Engine		Edge Embedded (Camera Side)
Video Analytic Engine		Edge Embedded (Camera Side)
Protocol		ARP, IPv4/v6, TCP/IP, UDP, RTP, RTSP, HTTP, HTTPS, ICMP, FTP, SMTP, DHCP, PPPoE, UPnP, IGMP, SNMP, QoS, ONVIF
Security		HTTPS / IP Filter / IEEE 802.1X
Alarm	Input	1 Set 5V 10kΩ pull up
	Output	1 Set Photo Relay Output 300V DC/AC
Audio	Line in	Max 6.2 Vpp for line signal Input Impedance: 33KΩ
	Microphone in	Max 1 Vpp for microphone Input impedance: 33KΩ
Event Notification		HTTP / FTP / SMTP
Micro SD		microSDXC 64GB support
Supported Web Browser		Internet Explorer (7.0+) / Firefox / Safari
User Account		20
Password Levels		User and Administrator
Mechanical		
Built-in IR Illuminator	Working Distance	5m
	Wavelength	850 nm
	Number of LEDs	4
Connectors	Alarm & Audio	7 Pin Terminal Block
	Power	2 Pin Terminal Block
	Ethernet	RJ-45
All-in-one Cable (Outdoor)		
Audio I/O		Line in / Line Out 3.5mm jack for mic/line Tip : signal/ bias, Ring : signal/ bias, Sleeve : ground
Alarm		4 Pin Terminal Block
Power		2 Pin Terminal Block / GND
General		
Operating Temperature		-10°C ~ 50°C (14° ~ 122° F)
Humidity		10% ~ 90%, No Condensation
Weatherproof Standard*		IP66
Dimension		Ø 117 x 55 mm (Ø 4.6 x 2.17 in.)
Weight		410g (0.9 lb)
Power Source		PoE / DC 12V
Power Consumption	Operation (802.3af) System	PoE: 7.1W / DC 12V: 8.1W
Regulatory	Operation (802.3af) Others	IR LED: +1.9W / ICR Switching: +0.5W / SD Card: +0.6W CE / FCC / RoHS

* mark for optional items

Product specification and availability are subject to change without notice.



DYNACOLOR, INC.
No. 116, Jou Tz Street, Neihu, Taipei 114, Taiwan
TEL: (886)2-2659-8898 FAX: (886)2-2659-8868
http://www.dynacolor.com.tw info@dynacolor.com.tw